

### Features

- 5-1/2 (140 mm) centers.
- 1-3/8" (35 mm) spout reach.
- 1/4-turn full brass ceramic valve.
- 2.0 gpm (7.6 lpm) maximum flow rate at 60 psi (4.14 bar).
- Vandal-resistant aerator.
- 4-1/16" vandal-resistant metal wristblade lever handles.
- Includes pop-up drain with lift rod and tailpiece.

### Material

- Solid-brass construction with thick chrome plating for rough commercial applications.

### Installation

- Includes yoke for shelf-back installation.

### Recommended Products/Accessories

- K-23726 Drain treatment
- K-23723 Faucet cleaner



ADA

CSA B651

OBC

### Codes/Standards

ASME A112.18.1/CSA B125.1  
NSF/ANSI 61  
NSF/ANSI 372  
All applicable US Federal and State material regulations  
DOE - Energy Policy Act 1992  
ADA  
ICC/ANSI A117.1  
CSA B651  
OBC

### KOHLER® One-Year Limited Warranty

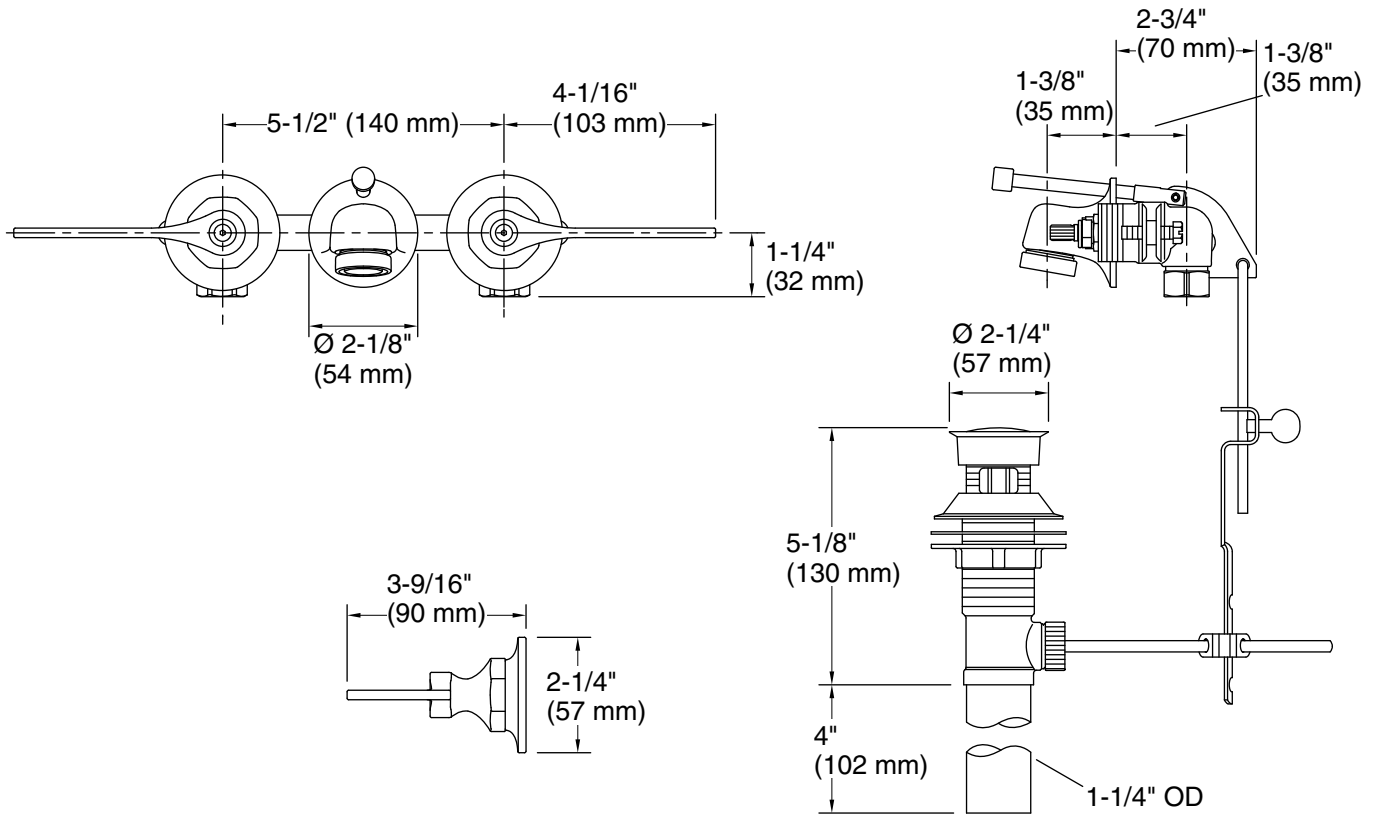
See website for detailed warranty information.

### Available Colors/Finishes

*Color tiles intended for reference only.*

| Color | Code | Description |
|-------|------|-------------|
|-------|------|-------------|

|   |    |                 |
|---|----|-----------------|
|  | CP | Polished Chrome |
|---|----|-----------------|



### Technical Information

All product dimensions are nominal.

#### Faucet:

Flow rate: 2 gal/min (7.6 l/min)  
 Pressure: 60 psi (4.1 bar)  
 Valve body: Cast brass  
 Drain included: Yes

#### Spout:

Spout reach: 1-3/8" (34 mm)  
 Handle clearance: 3" (76 mm)

### Notes

Install this product according to the installation instructions.

ADA compliant for handles only.

ADA, OBC, CSA B651 compliant when installed to the specific requirements of these regulations.